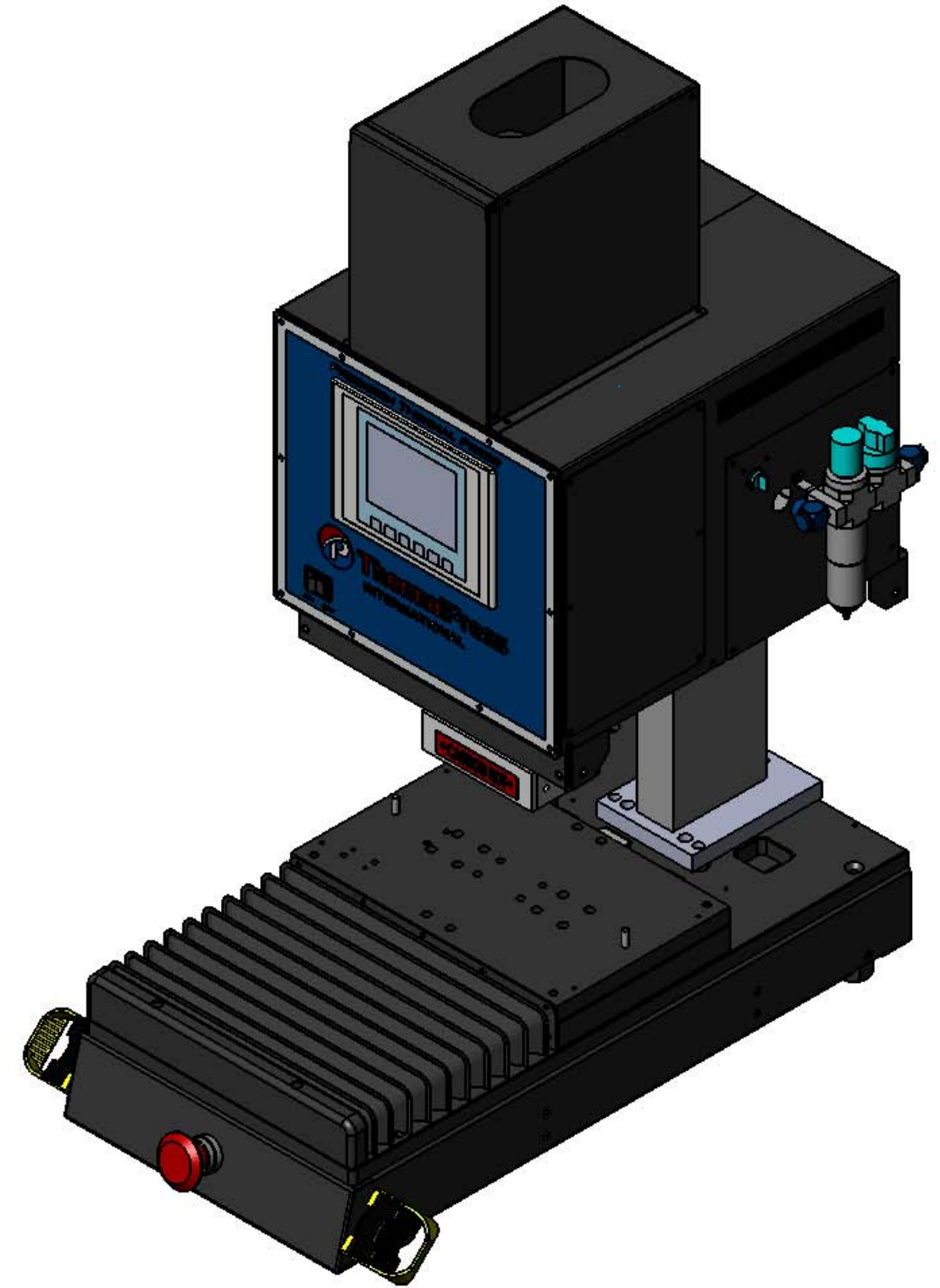
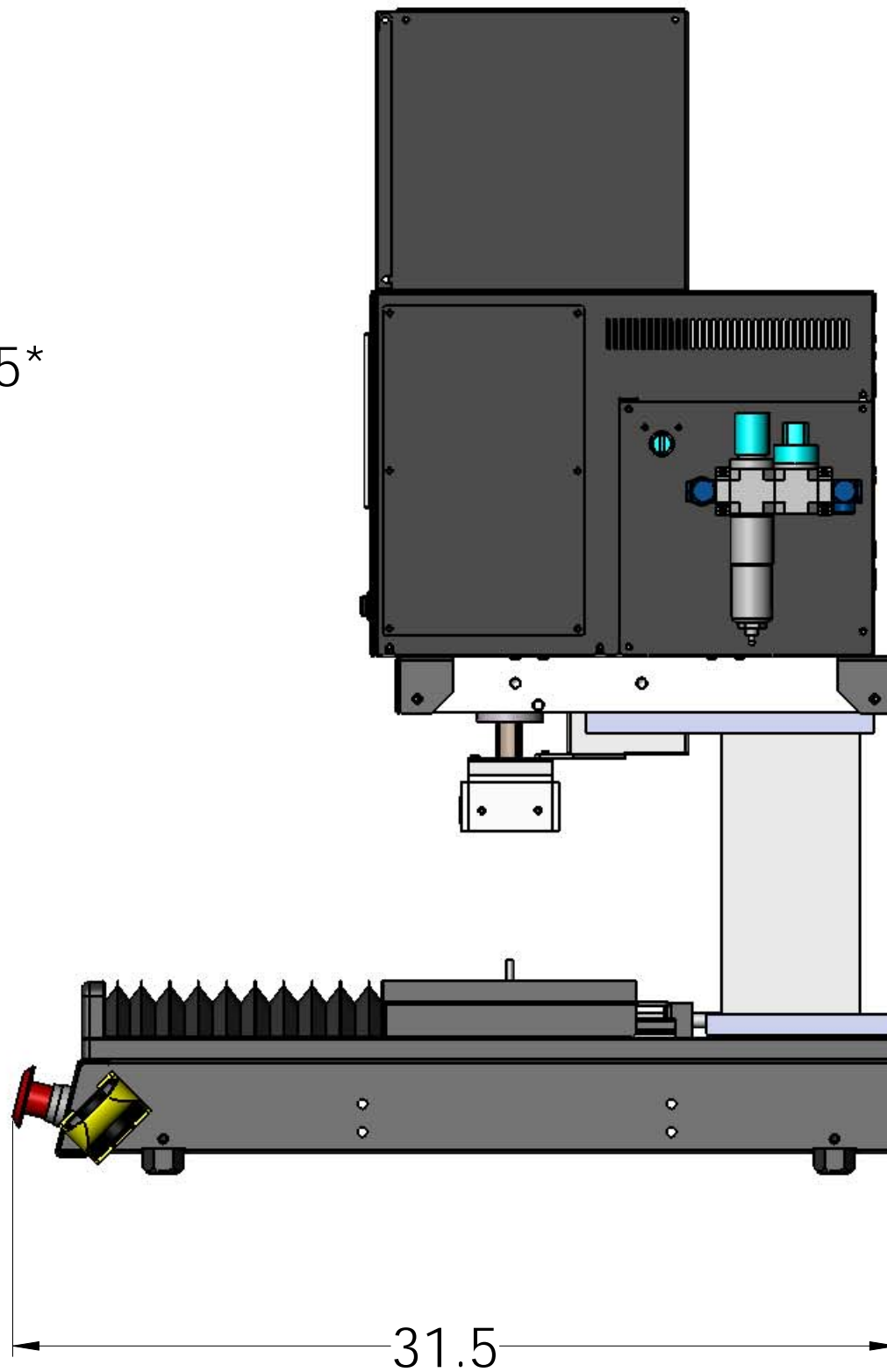
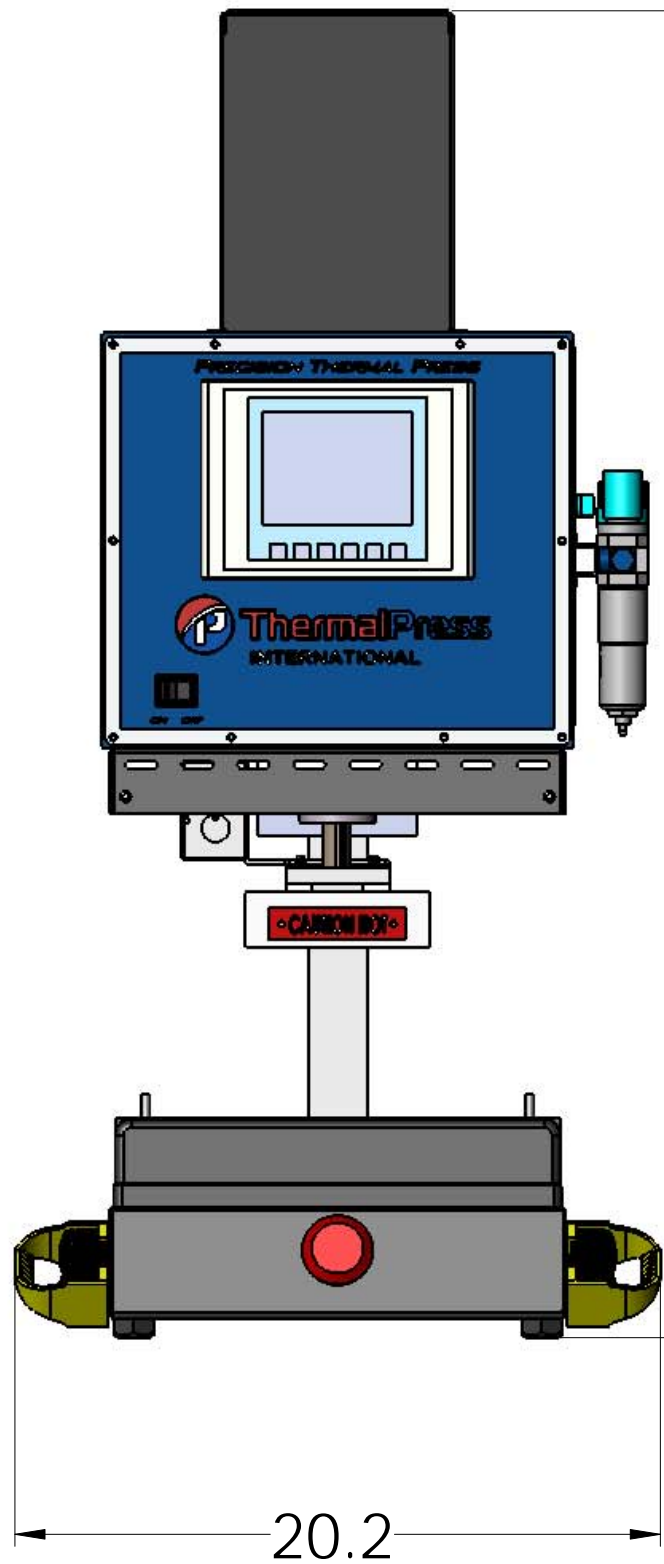


PROPRIETARY DATA: THIS DOCUMENT AND INFORMATION CONTAINED MAY NOT BE REPRODUCED, USED OR DISCLOSED WITHOUT THE WRITTEN PERMISSION OF THERMAL PRESS INTERNATIONAL, INC.

* APPLICATION SPECIFIC



DO NOT SCALE DRAWING <small>UNLESS OTHERWISE SPECIFIED DIMENSIONS ARE IN INCHES DIMENSIONS IN [] ARE IN MILLIMETERS TOLERANCES APPLY AFTER FINISH</small> DECIMALS ANGLES .XX ±.01 [0.25] ±1° .XXX ±.005 [0.127] MATERIAL SEE NOTES FINISH <input checked="" type="checkbox"/> FAO <input type="checkbox"/>	APPROVALS	DATE	Thermal Press International www.ThermalPress.com USA (925) 454-9800 TITLE <h2>C FRAME</h2>
	DRAWN		
	CHECKED		
	DESIGN ENGINEER		
	MFG ENGINEER		
	Q.A. ENGINEER		
			SIZE SCALE: NONE DWG. NO. REV MODEL 25MM_C FRAME SHEET 1 OF 1