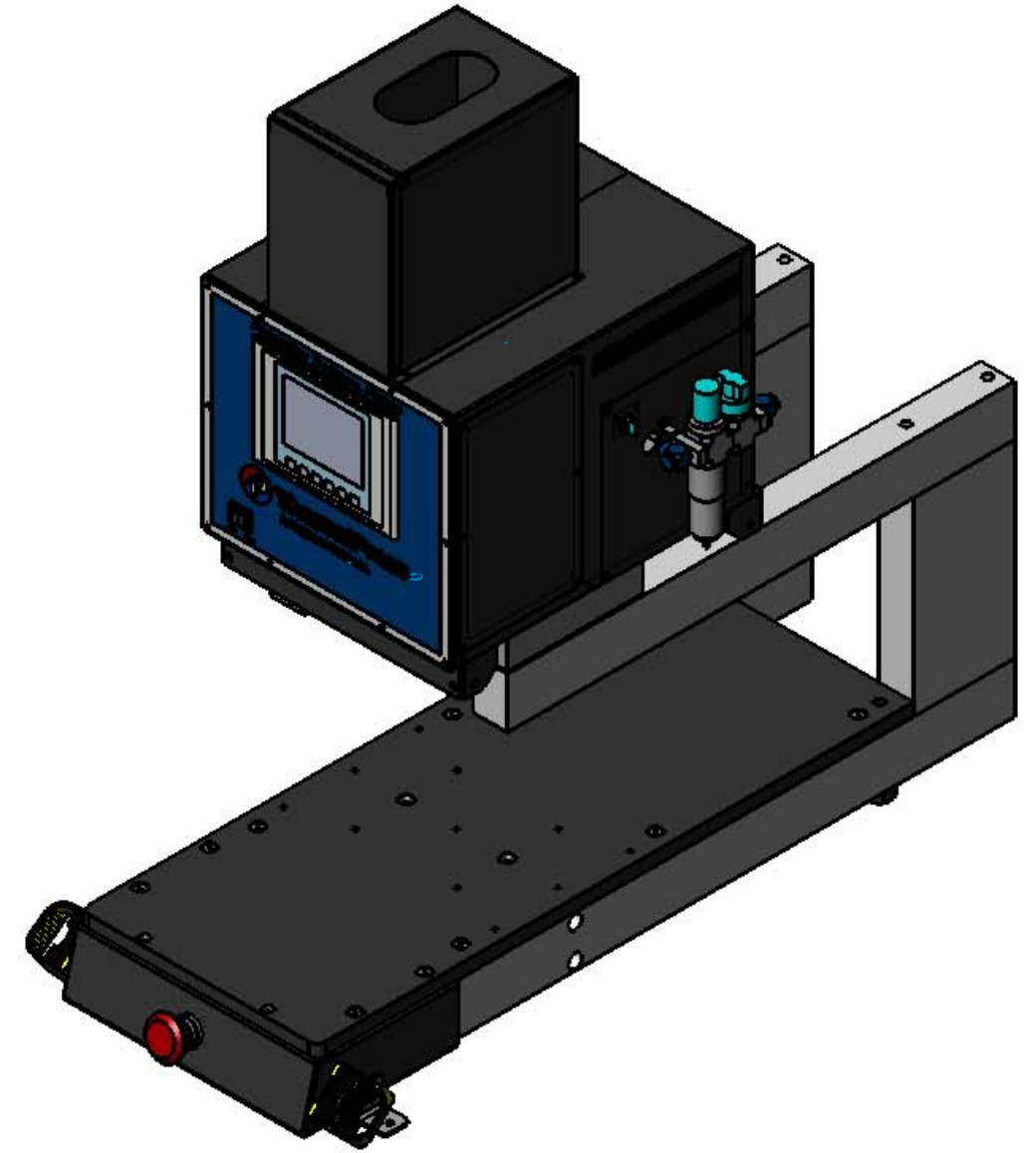
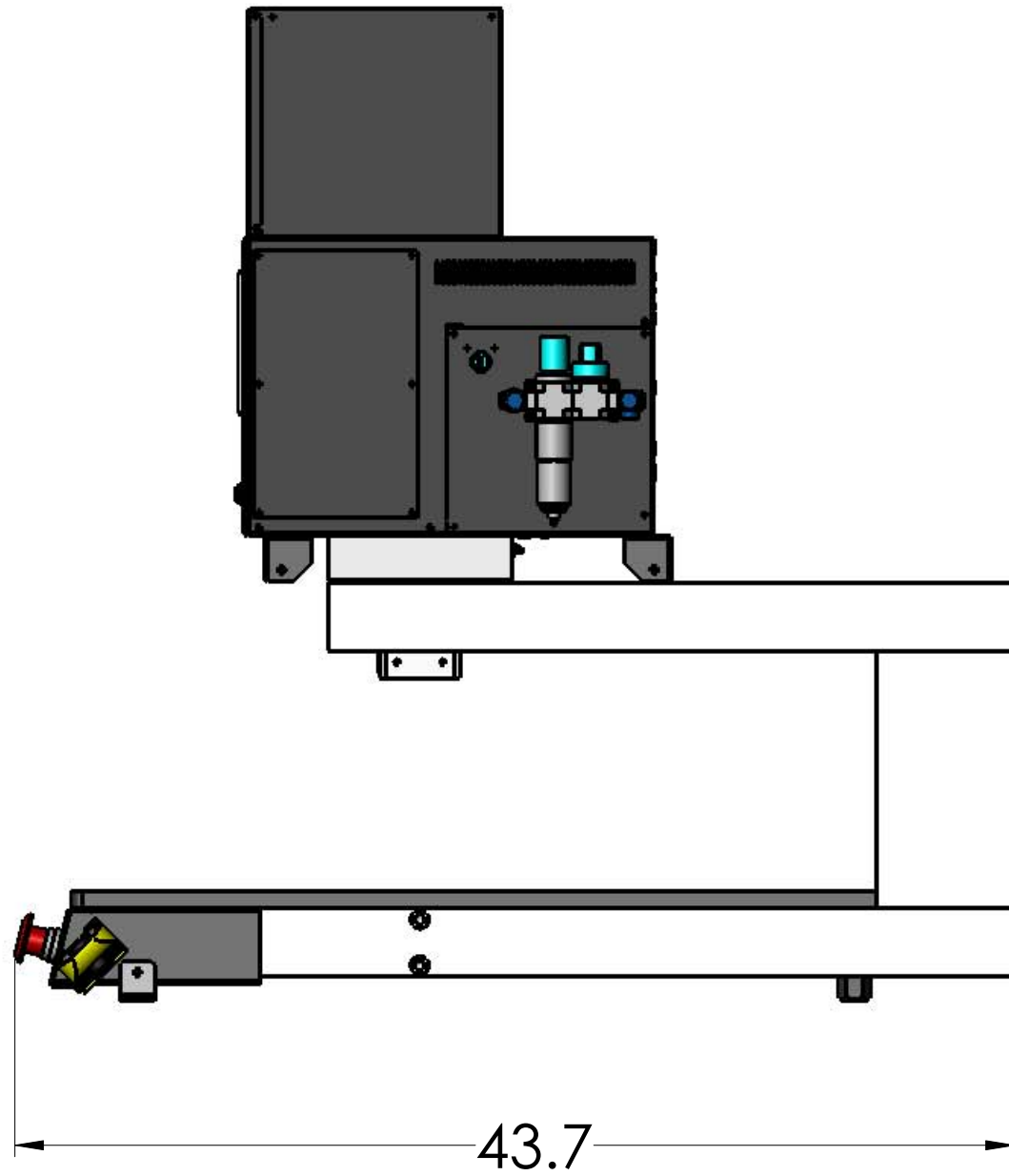
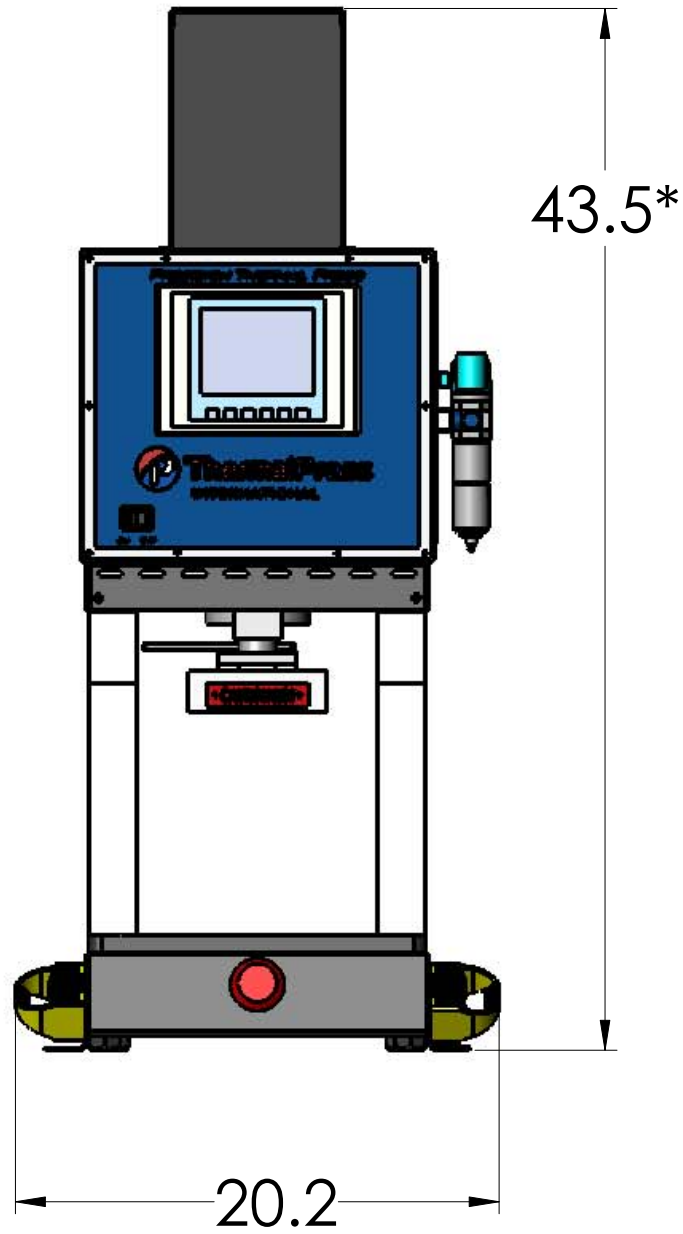


PROPRIETARY DATA: THIS DOCUMENT AND INFORMATION CONTAINED MAY NOT BE REPRODUCED, USED OR DISCLOSED WITHOUT THE WRITTEN PERMISSION OF THERMAL PRESS INTERNATIONAL, INC.

*APPLICATION SPECIFIC



DO NOT SCALE DRAWING <small>UNLESS OTHERWISE SPECIFIED DIMENSIONS ARE IN INCHES DIMENSIONS IN [] ARE IN MILLIMETERS TOLERANCES APPLY AFTER FINISH</small> <small>DECIMALS ANGLES</small> .XX ±.01 [0.25] ±1° .XXX ±.005 [0.127] MATERIAL SEE NOTES FINISH <input checked="" type="checkbox"/> FAO <input type="checkbox"/>	APPROVALS	DATE	Thermal Press International www.ThermalPress.com USA (925) 454-9800 TITLE <h2>Dual C- Series</h2>
	DRAWN		
	CHECKED		
	DESIGN ENGINEER		
	MFG ENGINEER		SIZE
	Q.A. ENGINEER		D NONE
			DWG NO.
			REV
			MODEL DUAL_C_FRAME
			SHEET 1 OF 1