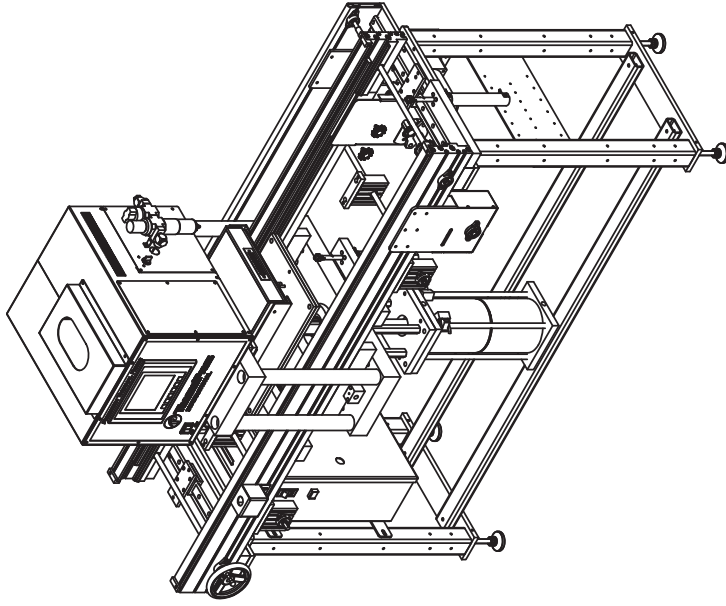
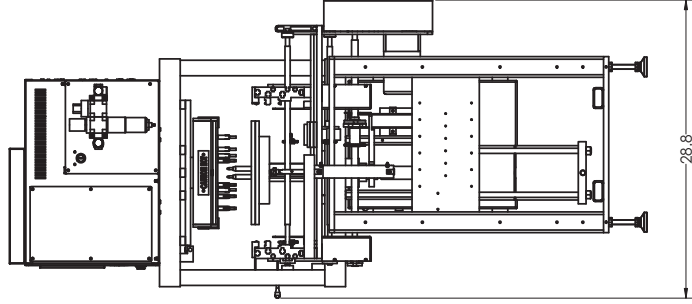
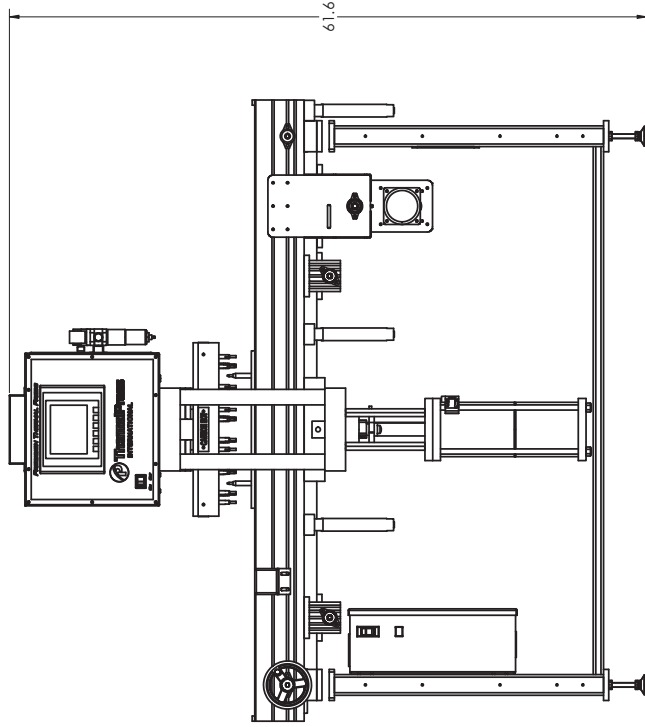
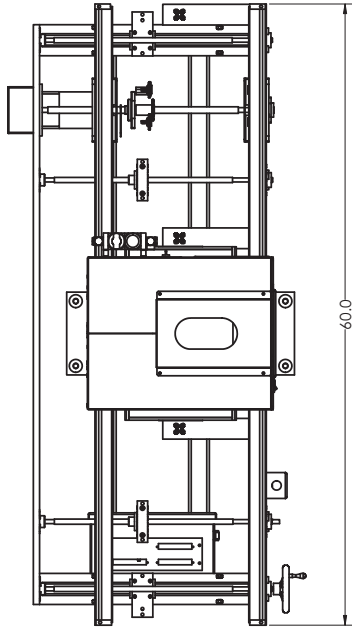


PROPRIETARY DATA. THIS DOCUMENT AND INFORMATION CONTAINED HEREIN MAY NOT BE REPRODUCED, USED OR DISCLOSED WITHOUT THE WRITTEN PERMISSION OF THERMAL PRESS INTERNATIONAL, INC.



2 1 REV A

INCORP	REV	DESCRIPTION	DATE	CHKD/APVD
A	1	RELEASED FOR MANUFACTURING	12/03/12	L.MCLEAN

DO NOT SCALE DRAWING	APPROVALS	DATE	SCALE	REV
<small>INDICATES COMPARE ENDED INDICATES COMPARE STARTED INDICATES PART NUMBER</small> XX & O (0.05) .XXX & .003 (0.127) ±1% MATERIAL SEE NOTES	DRAWN BY: L.MCLEAN CHECKED BY: L.MCLEAN DESIGNED BY: L.MCLEAN WROTE ENGINEER:	12/03/12 12/03/12 12/03/12	NONE NONE NONE	D NONE NONE

Thermal Press International
 www.thermalpress.com USA (925) 454-7800

SMEMA Conveyor