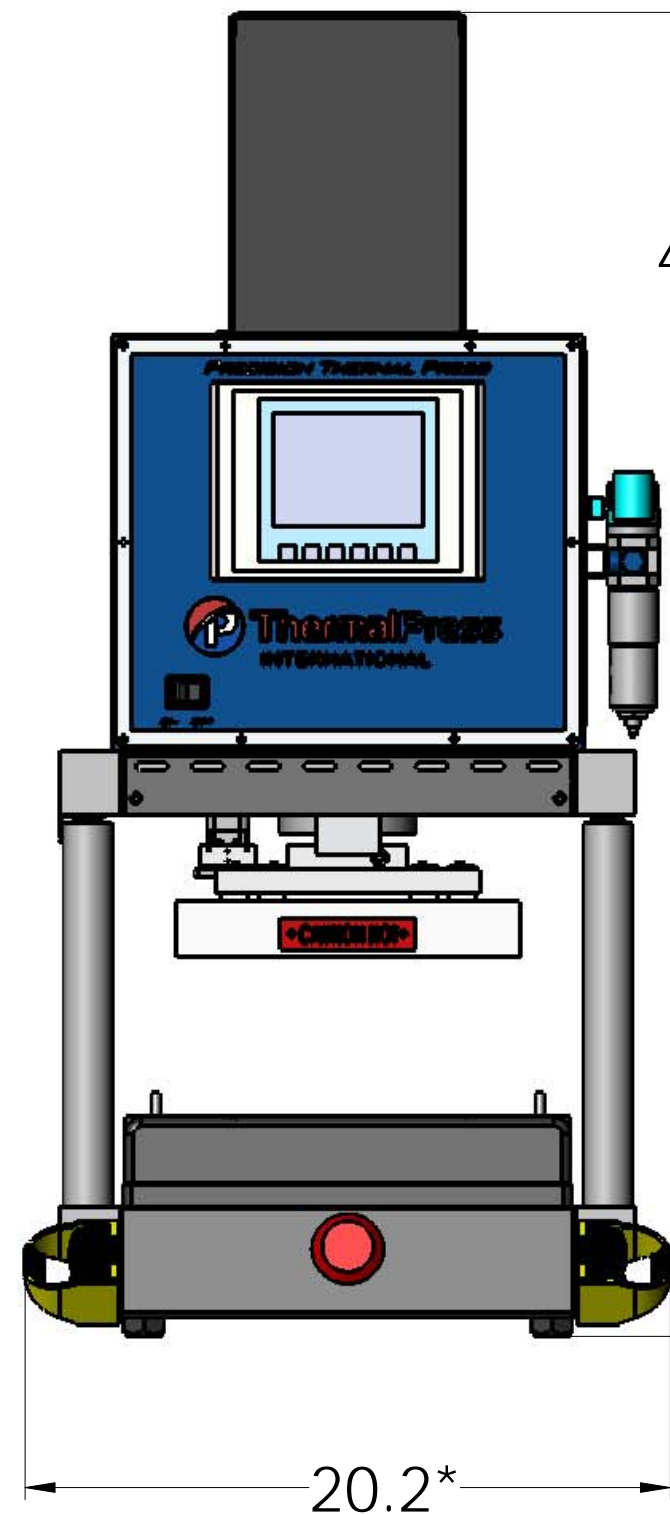


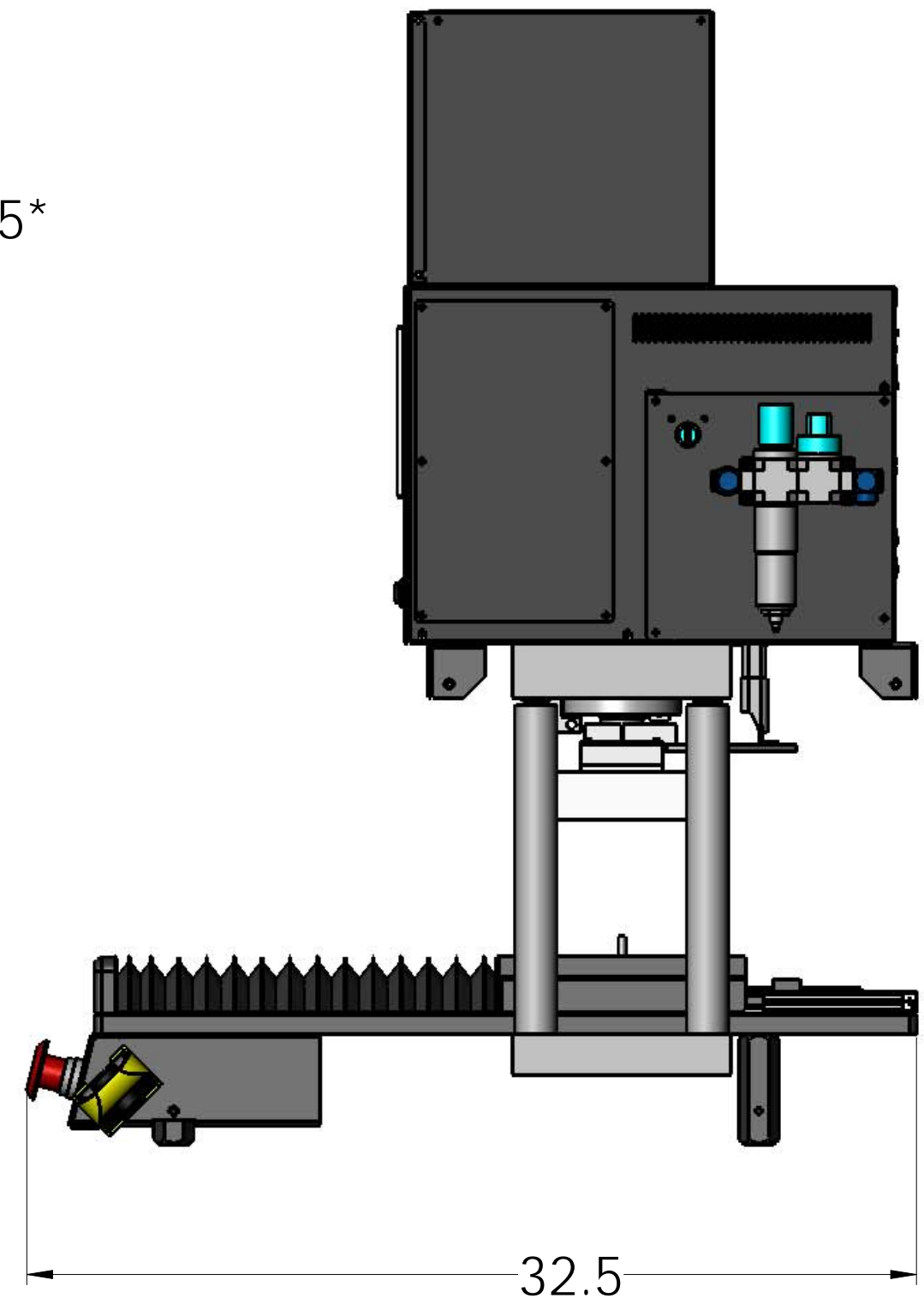
PROPRIETARY DATA: THIS DOCUMENT AND INFORMATION CONTAINED MAY NOT BE REPRODUCED, USED OR DISCLOSED WITHOUT THE WRITTEN PERMISSION OF THERMAL PRESS INTERNATIONAL, INC.

* APPLICATION SPECIFIC

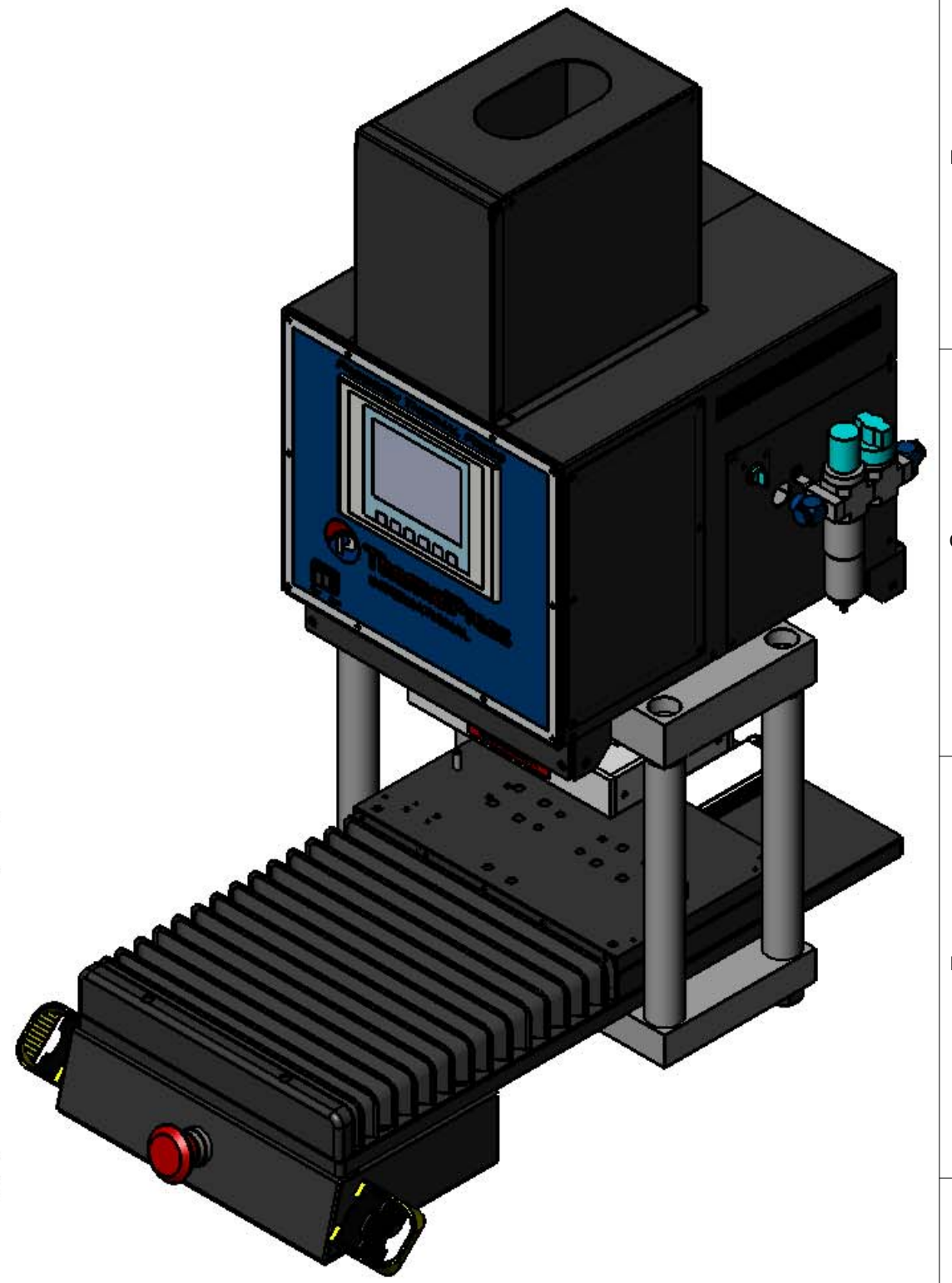


43.5*

20.2*



32.5



DO NOT SCALE DRAWING <small>UNLESS OTHERWISE SPECIFIED DIMENSIONS ARE IN INCHES DIMENSIONS IN [] ARE IN MILLIMETERS TOLERANCES APPLY AFTER FINISH</small> DECIMALS .XX ±.01 [0.25] ANGLES .XXX ±.005 [0.127] ±1° MATERIAL SEE NOTES FINISH <input checked="" type="checkbox"/> FAO <input type="checkbox"/>	APPROVALS DRAWN CHECKED DESIGN ENGINEER MFG ENGINEER Q.A. ENGINEER	DATE	Thermal Press International www.ThermalPress.com USA (925) 454-9800 TITLE <h2 style="text-align: center;">H FRAME</h2>
	SIZE D SCALE NONE DWG. NO. REV MODEL H_FRAME SHEET 1 OF 1		