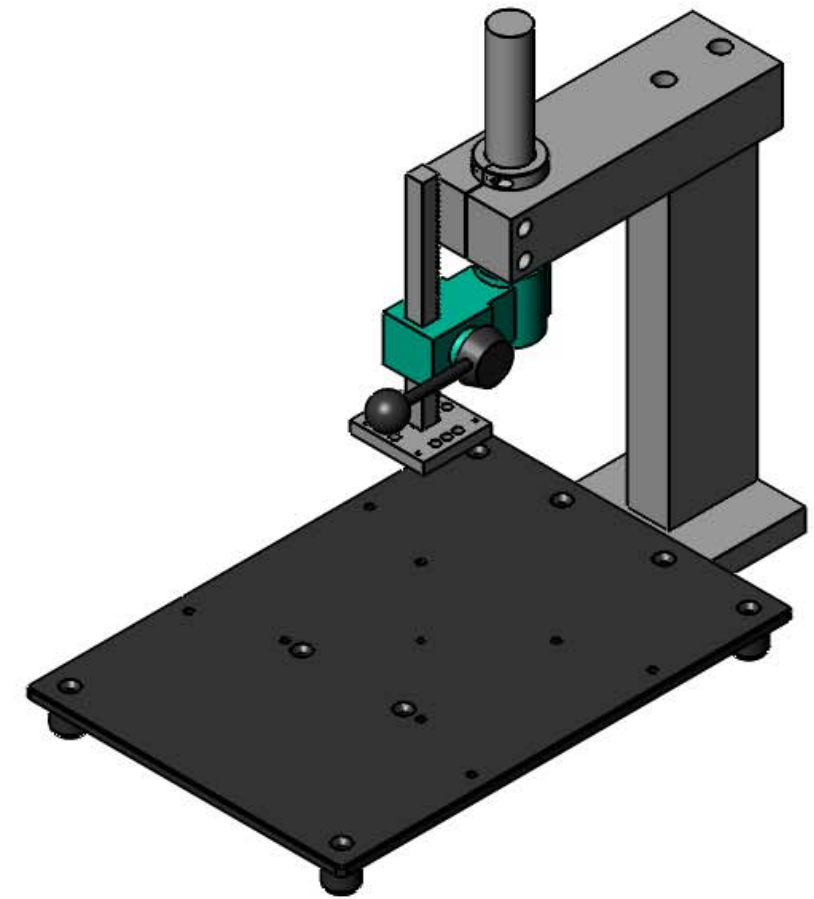
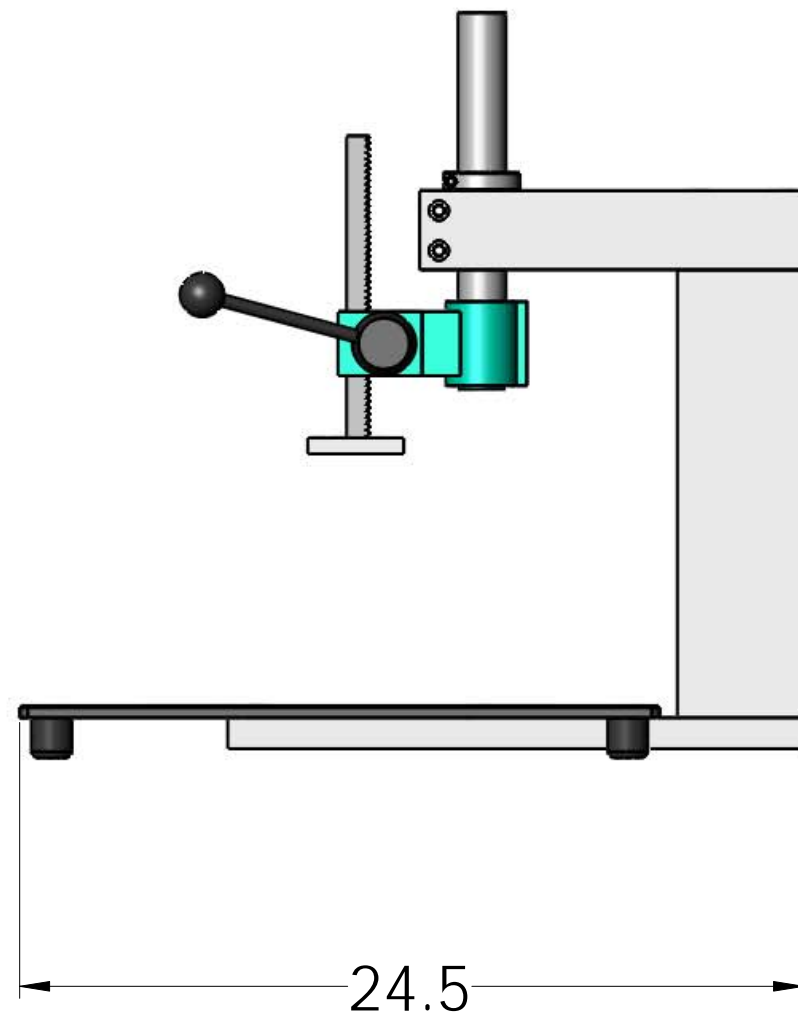
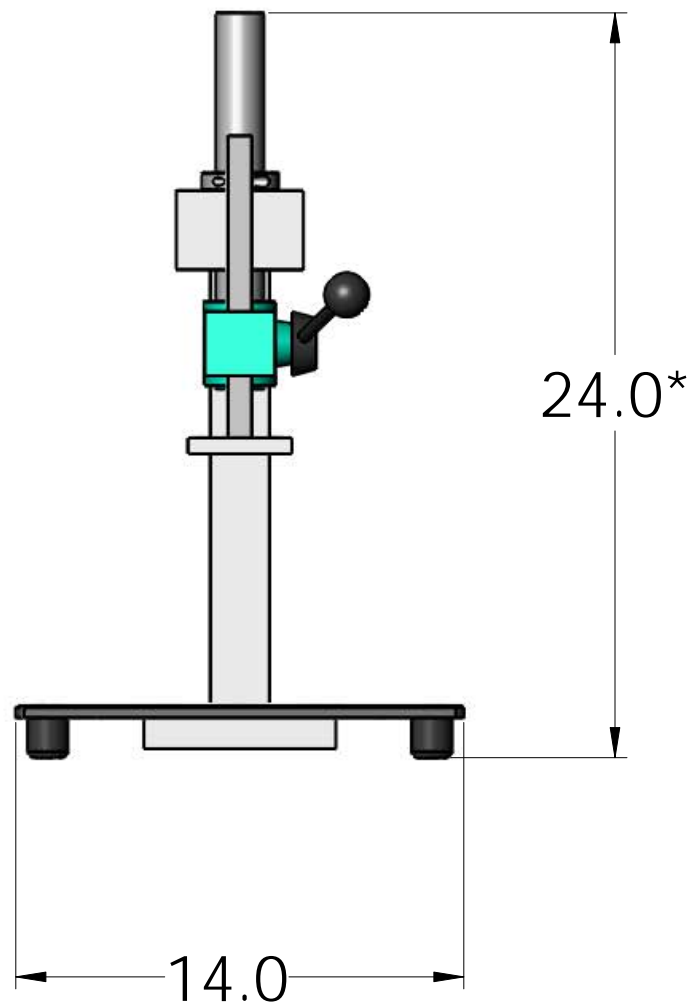


PROPRIETARY DATA: THIS DOCUMENT AND INFORMATION CONTAINED MAY NOT BE REPRODUCED, USED OR DISCLOSED WITHOUT THE WRITTEN PERMISSION OF THERMAL PRESS INTERNATIONAL, INC.

*APPLICATION SPECIFIC



DO NOT SCALE DRAWING <small>UNLESS OTHERWISE SPECIFIED DIMENSIONS ARE IN INCHES DIMENSIONS IN [] ARE IN MILLIMETERS TOLERANCES APPLY AFTER FINISH</small> <small>DECIMALS ANGLES</small> .XX ±.01 [0.25] .XXX ±.005 [0.127] ±1° MATERIAL SEE NOTES FINISH <input checked="" type="checkbox"/> FAO <input type="checkbox"/>	APPROVALS DRAWN CHECKED DESIGN ENGINEER MFG ENGINEER Q.A. ENGINEER	DATE 	Thermal Press International www.ThermalPress.com USA (925) 454-9800 TITLE <h2 style="text-align: center;">MANUAL PRESS</h2>	
	SIZE D SCALE: NONE DWG NO. REV	MODEL: MANUAL_PRESS SHEET 1 OF 1		