



Thermal Press

The Original Thermal Press®

See more info now at:
www.thermalpress.com/BOAT-TUBE.asp
OR
Call Us: **877-642-7100**

▶ How the Thermal Press team will improve your business:

Founded in 1976, Thermal Press International is a leading provider of plastic assembly equipment, specializing in heat staking, heat sealing, and film welding solutions. With a customer-centric approach, the company delivers superior quality machines and manufacturing solutions, resulting in enhanced productivity, minimized downtime, and increased peace of mind for our customers.

▶ Services Available:

- ▶ R&D Services
- ▶ Contract CNC Machining
- ▶ Process Development
- ▶ Design Engineering
- ▶ Calibration Services
- ▶ Medical Validation/Qualifications

Customers Say:

"I highly recommend Thermal Press whether you have a project that needs the extra effort to iron out some early kinks, or a fully developed process that needs to be implemented in an organized and efficient way."

*-Rich
Medical Mfg, Bay Area, CA*

"Thermal Press knew ahead of time that our company was from a regulated industry (medical device) and therefore knew our strict requirements. I would recommend Thermal Press to any facility requiring precision heat staking equipment."

*-Patrick
Medical Device Mfg, Santa Barbara, CA*

Boat-Tube Sealer Thermal Press®

The Boat-Tube Sealer Thermal Press is a variation of our popular C-Series machine. It is an excellent choice for large format Medical Bag Sealing applications and Bioreactor Bag projects.

The machine features a wide-open workspace with a C-Frame skeleton to allow for maximum clearance for large and small medical bag applications. It is built on its own machine base/cart with swivel casters (locking & leveling). It provides the ability to set up and run multiple boat fittings (ports) and tube(s) sealing projects utilizing convenient TPI standardized quick-change tooling for many edge sealing operations into a multitude of different size, shape and style bag configurations.

Our Thermal Press machines incorporate the latest technologies of integrated digital control and monitoring devices to consistently produce high-quality finished assemblies to maximize production line throughput and ROI.

Thermal Press is the industry leading standard in the engineering of robust precision machines and thermal assembly systems used for: heat staking, swaging, sealing, insertion, film/filter sealing/welding, heat seal connectors, hot bar soldering and many other precision assembly processes.

Available Options:

- Standardized quick-change tooling components
- Boat, tube and bag locating mandrel systems
- Impulse welding technology and control
- Chiller device and control
- Servo actuator and control
- Part loading and unloading
- Data acquisition package
- OPCUA (Scada) package



Join an elite team today!
Call Us: 877-642-7100
www.thermalpress.com/BOAT-Tube.asp

Your Plastic Assembly Experts - Engineering Solutions since 1976!





Thermal Press
The Original Thermal Press®

See more info now at:
www.thermalpress.com/BOAT-TUBE.asp
OR
Call Us: **877-642-7100**

SPECIFICATIONS:

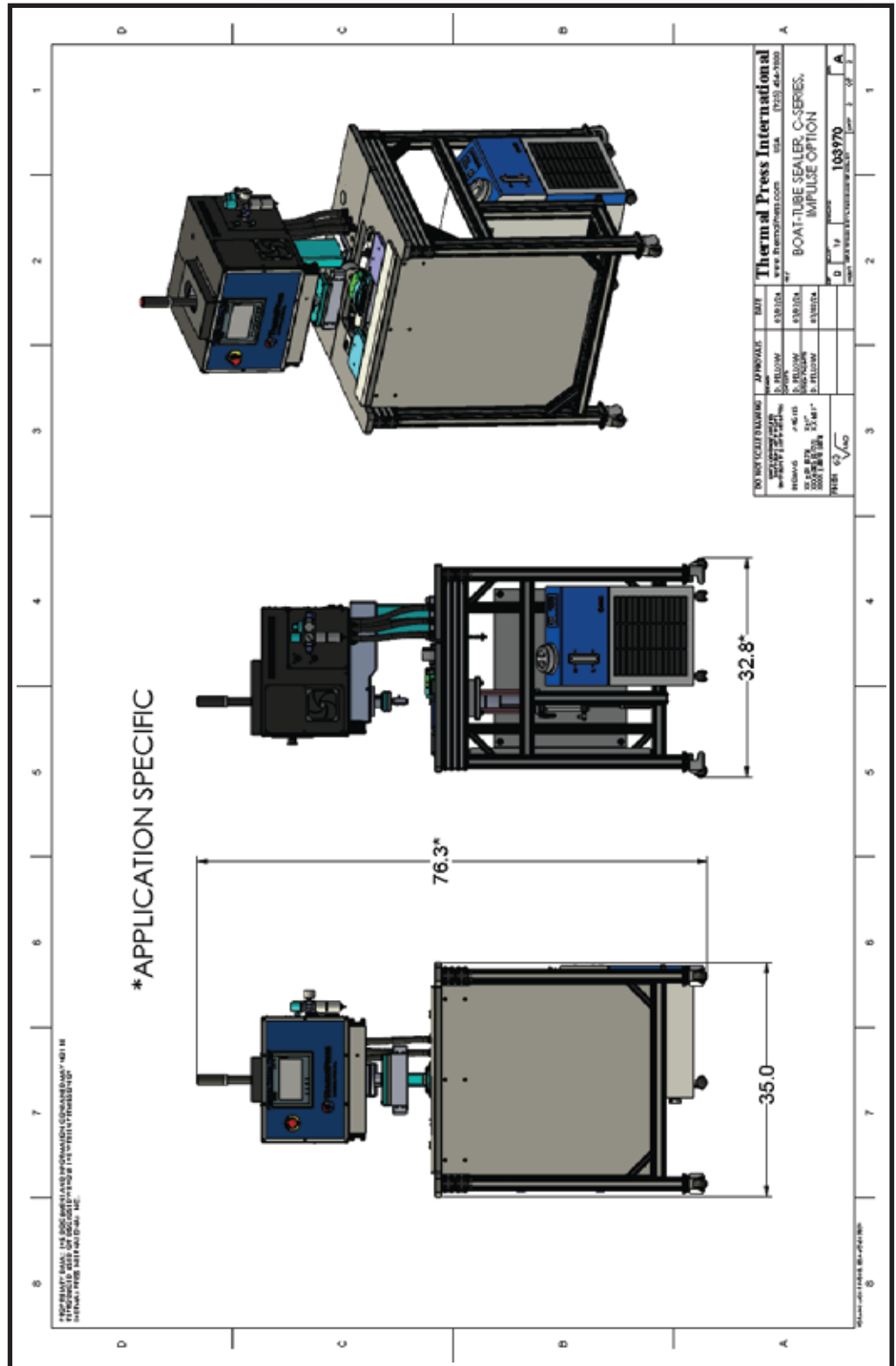
- Electrical:
(Standard) 220VAC (15A MAX)
(Optional) 120VAC (15A MAX)
(Custom) 220VAC (30A MAX)
- *Pneumatic (MAX):
10-100 psi (0.7-7 bar), 2-4 SCFM
- Standard Stroke: 7.5 inches (191 mm)
- *Throat Depth: 15.75 inches (400 mm)
- *Column Height: 4 inches (102 mm)
- *Force Output (MAX):
Model C25 = 300 lbs (136 kgs)
Model C50 = 1000 lbs (450 kgs)
- *Weight {est}: 250-325 lbs (114-148 kgs)
- *Work Surface Requirements:
35" W x 33" D x 77" H

* Specifications May Vary

FEATURES:

- Open format "C-Frame" Construction
- HMI Color Touchscreen (Operation & Setup)
- Recipe Storage via HMI Touchscreen
- HMI with multi-programmable USER/PW
- Integrated Digital PID Temperature Controls
- Integrated Timers & Linear Positional Data
- Programmable Process Parameter Alarms
- Programmable Digitally Controlled Motion
- OSHA, CE, NFPE, and NEC compliant
- Industry Leading 3 Year Warranty

***Note: Thermal Presses are configured and delivered with application specific engineered tooling packages. Actual dimensions and details will vary, based upon the tooling and options included with the system. Thermal Press provides design reviews of the equipment and tooling packages, prior to the manufacturing of the equipment.**



Your Plastic Assembly Experts - Engineering Solutions since 1976!